

our range Top Ev

433.92 MHz transmitters

001 TOP-432EV	Two-channel multi-user transmitter with 4,096 combinations and self-learning feature.
001 TOP-434EV	Four-channel multi-user transmitter with 4,096 combinations and self-learning feature.

433.92 MHz snap-in receivers

001 AF43S	Snap-in radio-frequency card.
001 AF43SM	Snap-in radio-frequency card with "eeprom" to store up to 128 user codes.

433.92 MHz outdoor receivers

001 RE432	Two-channel outdoor receiver IP54, 12 - 24 V AC - DC.	20
001 RBE4MT	Four-channel receiver on 433.92 MHz for outdoor multiuser use IP54, 12 - 24 V AC - DC to store up to 999 user codes.	20

230 V AC outdoor radio module

001 RBE42	Four-channel outdoor radio module IP54, 230 V AC.
------------------	---

Outdoor 12 - 24 V AC - DC radio module

001 RBE4N	Four-channel outdoor module IP54, 12 - 24 V AC - DC.	20
------------------	--	----

Accessories for: 001TOP-432EV- 001TOP-434EV

009 TAG	Glass transponder bulb.
001 P3V	Package contains two lithium 3 v DC type CR2016 batteries.

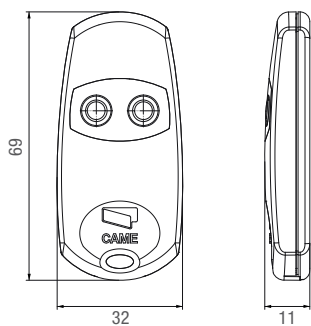
Receiver accessories

001 TOP-A433N	Antenna.
001 TOP-RG58	Antenna cable.

NOTES

001TOP-432EV - 001TOP-434EV Can take up to 20 operators fitted on one system.
E.g.: An apartment building with 20 individual garage doors.

Dimensions (mm)



NOTES
weight 16 gr.

Limits to use

MODEL	Range (m)
TOP-432EV	50 ÷ 150
TOP-434EV	50 ÷ 150

Technical specifications

Type	TOP-432EV - TOP-434EV
Batteries	2 LITHIUM x CR2016
Combinations	4,096
Working temperature (°C)	-20 ÷ +55
Material	ABS



SEE CAME's LATEST
from your licensed dealer or on came.com

© Came - KDEP#CEN86PIE111 - 05/2011



Patented: 001828559

CAME cancelli automatici s.p.a.

via Martiri della Libertà, 15
31030 Dosson di Casier
Treviso - Italy
Tel. (+39) 0422 4940
Fax (+39) 0422 4941
info@came.it
www.came.com



Top Ev

The new models are Made in Italy's finest



Came presents its new TOP-432EV e TOP-434EV transmitters - elegantly upgraded and designed and always practical and reliable!

Good reasons for choosing Top Ev



STATE-OF-THE-ART, YET VERSATILE AND COMPATIBLE.

The new TOP-432EV and TOP-434EV models use the 433.92 MHz frequency which is perfectly compatible with all of the Top series receivers.

This feature makes it possible to exploit the vast potential of a system that offers numerous receiver models; from 2 to 4 channels, snap-in, outdoor and flush-mounted, that can even be powered at 230 V AC.

ERGONOMIC DESIGN AND LOTS OF FUNCTIONS.

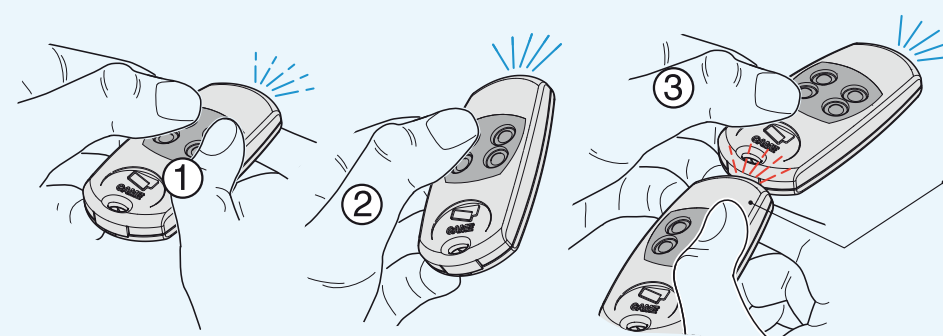
The new models are refined and elegant, and made of first-rate materials such as glossy polycarbonate, and feature tried-and-tested reliable technology.

In fact, the digital 4,096 combination coding ensures user code secrecy while the self-learning feature makes adding new transmitters to the system very user-friendly.

YET ANOTHER FUNCTION!

Just like the previous TOP series versions, you can fit the special TAG transponder into the radio-command, to couple with the TSP01 transponder sensors with the transmitters. This features makes the radio command control and additional access-way such as a pedestrian gate.

• SELF-LEARNING BASED CODE MEMORISING SYSTEM FROM TRANSMITTER TO TRANSMITTER.



NOTE:
Data from any radio-command of the 433.92 Mhz Top series can be memorised on the new EVs or among EV models.

1

Simultaneously press the two upper buttons on the new receiver (with the four-button model) until the LED light flashes more quickly.

2

Now press the button on which to activated the opening command.

3

Within 10" of the prior operation take the receiver in your possession (or the already coded one) and put it next to the new receiver, and press the button which commands the service you wish to enter into the new apparatus. Successful memorisation triggers the LED light to flash three times, after which the product is ready to work.